









Ø30 Round Standard Lever Selector Switches (S3SF Series)

| Type | Appearance | Operating position | Model | Contact block | | LED block | |
|-------------------------------------|---|--------------------------------------|---|---------------|-----------|---------------|------------|
| | | | | A contact | B contact | AC/DC voltage | AC voltage |
| Standard short lever, flush |  S3SF-S1R□  S3SF-SCK□ | 2-position, spring return |  S3SF-S1□A(M) | 1 | — | — | — |
| | | | S3SF-S1□2A(M) | 2 | — | | |
| | | | S3SF-S1□B(M) | — | 1 | | |
| | | | S3SF-S1□2B(M) | — | 2 | | |
| | | | S3SF-S1□AB(M) | 1 | 1 | | |
| | | 2-position, maintained |  S3SF-S3□A(M) | 1 | — | | |
| | | | S3SF-S3□2A(M) | 2 | — | | |
| | | | S3SF-S3□B(M) | — | 1 | | |
| | | | S3SF-S3□2B(M) | — | 2 | | |
| | | | S3SF-S3□AB(M) | 1 | 1 | | |
| | | 3-position, spring return two-way |  S3SF-S5K□2A(M) | 2 | — | | |
| | | | S3SF-S5K□2B(M) | — | 2 | | |
| | | | S3SF-S5K□AB(M) | 1 | 1 | | |
| | | 3-position, maintained |  S3SF-S7K□2A(M) | 2 | — | | |
| | | | S3SF-S7K□2B(M) | — | 2 | | |
| | | | S3SF-S7K□AB(M) | 1 | 1 | | |
| | | 3-position, spring return from right |  S3SF-SAK□2A(M) | 2 | — | | |
| | | | S3SF-SAK□2B(M) | — | 2 | | |
| S3SF-SAK□AB(M) | 1 | | 1 | | | | |
| 3-position, spring return from left |  S3SF-SCK□2A(M) | 2 | — | | | | |
| | S3SF-SCK□2B(M) | — | 2 | | | | |
| | S3SF-SCK□AB(M) | 1 | 1 | | | | |

※□ indicates color : **W**, **R**

※The M in the model name indicates modular type contact block. Models without M are singular contact block.

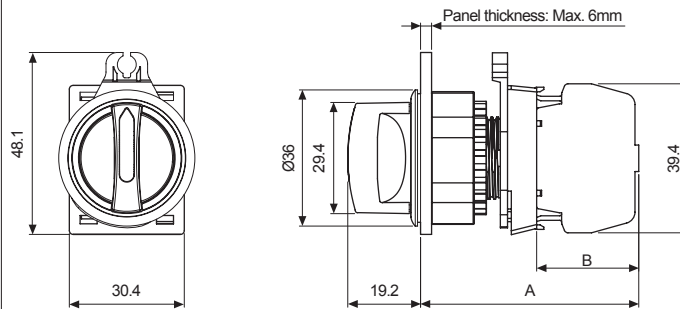
※The control unit and contact blocks are sold separately.

(control unit: bold letters, contact block: regular letters)

※Connect up to 2 contact blocks. Connect the contact blocks only on the right and left side slots. It will not operate if connected to the center slot.


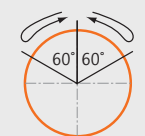
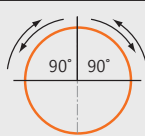
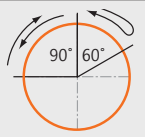
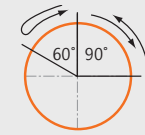
• Dimensions

(unit: mm)



| | A | B |
|---------------|------|------|
| Singular type | 57.7 | 27.0 |
| Modular type | 55.7 | 25.0 |

※For panel cut-out dimensions, please refer to page A-105.

| Type | Appearance | Operating position | | Model | Contact block | | LED block | |
|-----------------------------|---|--------------------------------------|---|---------------|---------------|-----------|---------------|------------|
| | | | | | A contact | B contact | AC/DC voltage | AC voltage |
| Standard short lever, flush |  | 3-position, spring return two-way |  | S3SF-S5□2A(M) | 2 | — | — | — |
| | | | | S3SF-S5□2B(M) | — | 2 | | |
| | | | | S3SF-S5□AB(M) | 1 | 1 | | |
| | | 3-position, maintained |  | S3SF-S7□2A(M) | 2 | — | | |
| | | | | S3SF-S7□2B(M) | — | 2 | | |
| | | | | S3SF-S7□AB(M) | 1 | 1 | | |
| | | 3-position, spring return from right |  | S3SF-SA□2A(M) | 2 | — | | |
| | | | | S3SF-SA□2B(M) | — | 2 | | |
| | | | | S3SF-SA□AB(M) | 1 | 1 | | |
| | | 3-position, spring return from left |  | S3SF-SC□2A(M) | 2 | — | | |
| | | | | S3SF-SC□2B(M) | — | 2 | | |
| | | | | S3SF-SC□AB(M) | 1 | 1 | | |

S3SF-S1R□



※□ indicates color : **W**, **R**

※The M in the model name indicates modular type contact block. Models without M are singular contact block.

※The control unit and contact blocks are sold separately.

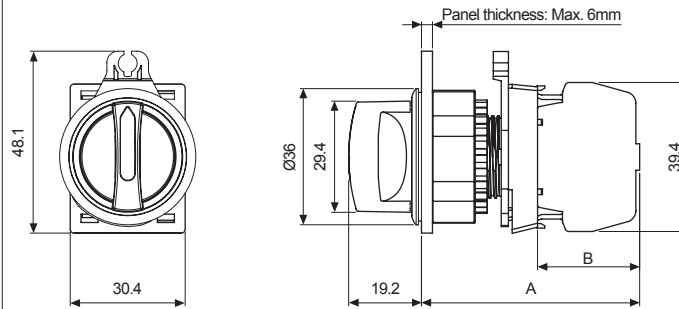
(control unit: bold letters, contact block: regular letters)

※Connect up to 2 contact blocks. Connect the contact blocks only on the right and left side slots.

It will not operate if connected to the center slot.

• Dimensions

(unit: mm)



| | A | B |
|---------------|------|------|
| Singular type | 57.7 | 27.0 |
| Modular type | 55.7 | 25.0 |

※For panel cut-out dimensions, please refer to page A-105.

Ø30 Selector Switches

| Type | Appearance | Operating position | Model | Contact block | | LED block | |
|----------------------------|--|--------------------------------------|--|--|-----------|---------------|------------|
| | | | | A contact | B contact | AC/DC voltage | AC voltage |
| Standard long lever, flush |  | 2-position, spring return |  S3SF-S2□A(M) | 1 | — | — | — |
| | | | S3SF-S2□2A(M) | 2 | — | | |
| | | | S3SF-S2□B(M) | — | 1 | | |
| | | | S3SF-S2□2B(M) | — | 2 | | |
| | | | S3SF-S2□AB(M) | 1 | 1 | | |
| | | | 2-position, maintained |  S3SF-S4□A(M) | 1 | | |
| | | S3SF-S4□2A(M) | | 2 | — | | |
| | | S3SF-S4□B(M) | | — | 1 | | |
| | | S3SF-S4□2B(M) | | — | 2 | | |
| | | S3SF-S4□AB(M) | | 1 | 1 | | |
| | | 3-position, spring return two-way | |  S3SF-S6K□2A(M) | 2 | | |
| | | | S3SF-S6K□2B(M) | — | 2 | | |
| | | | S3SF-S6K□AB(M) | 1 | 1 | | |
| | | 3-position, maintained |  S3SF-S8K□2A(M) | 2 | — | | |
| | | | S3SF-S8K□2B(M) | — | 2 | | |
| | | | S3SF-S8K□AB(M) | 1 | 1 | | |
| | | 3-position, spring return from right |  S3SF-SBK□2A(M) | 2 | — | | |
| | | | S3SF-SBK□2B(M) | — | 2 | | |
| | | | S3SF-SBK□AB(M) | 1 | 1 | | |
| | | 3-position, spring return from left |  S3SF-SDK□2A(M) | 2 | — | | |
| | | | S3SF-SDK□2B(M) | — | 2 | | |
| | | | S3SF-SDK□AB(M) | 1 | 1 | | |

※□ indicates color : **W**, **R**

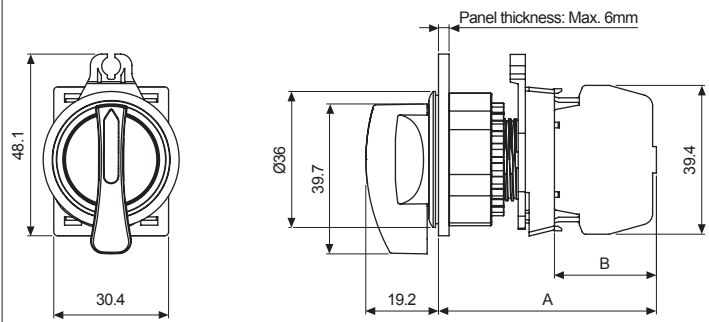
※The M in the model name indicates modular type contact block. Models without M are singular contact block.

※The control unit and contact blocks are sold separately.
(control unit: bold letters, contact block: regular letters)

※Connect up to 2 contact blocks. Connect the contact blocks only on the right and left side slots.
It will not operate if connected to the center slot.


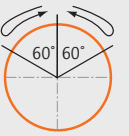
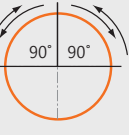
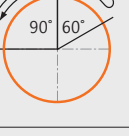
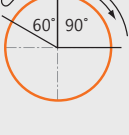
• Dimensions

(unit: mm)



| | A | B |
|---------------|------|------|
| Singular type | 57.7 | 27.0 |
| Modular type | 55.7 | 25.0 |

※For panel cut-out dimensions, please refer to page A-105.

| Type | Appearance | Operating position | | Model | Contact block | | LED block | |
|----------------------------|---|--------------------------------------|---|------------------------|---------------|-----------|---------------|------------|
| | | | | | A contact | B contact | AC/DC voltage | AC voltage |
| Standard long lever, flush |  | 3-position, spring return two-way |  | S3SF-S6 □2A(M) | 2 | — | — | — |
| | | | | S3SF-S6 □2B(M) | — | 2 | | |
| | | | | S3SF-S6 □2AB(M) | 1 | 1 | | |
| | | 3-position, maintained |  | S3SF-S8 □2A(M) | 2 | — | | |
| | | | | S3SF-S8 □2B(M) | — | 2 | | |
| | | | | S3SF-S8 □AB(M) | 1 | 1 | | |
| | | 3-position, spring return from right |  | S3SF-SB □2A(M) | 2 | — | | |
| | | | | S3SF-SB □2B(M) | — | 2 | | |
| | | | | S3SF-SB □AB(M) | 1 | 1 | | |
| | | 3-position, spring return from left |  | S3SF-SD □2A(M) | 2 | — | | |
| | | | | S3SF-SD □2B(M) | — | 2 | | |
| | | | | S3SF-SD □AB(M) | 1 | 1 | | |

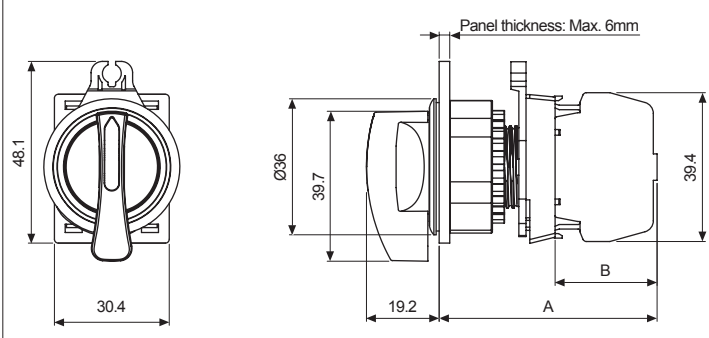
S3SF-S2W□



※□ indicates color : **W**, **R**
 ※The M in the model name indicates modular type contact block. Models without M are singular contact block.
 ※The control unit and contact blocks are sold separately.
 (control unit: bold letters, contact block: regular letters)
 ※Connect up to 2 contact blocks. Connect the contact blocks only on the right and left side slots.
 It will not operate if connected to the center slot.

• Dimensions


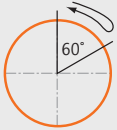


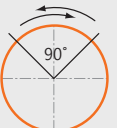

(unit: mm)



| | A | B |
|---------------|------|------|
| Singular type | 57.7 | 27.0 |
| Modular type | 55.7 | 25.0 |

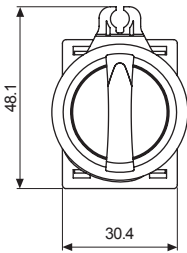
※For panel cut-out dimensions, please refer to page A-105.

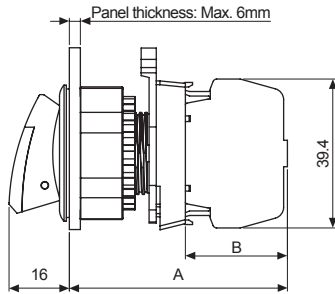
Ø30 Round Shark Lever Selector Switches (S3SFN Series)

| Type | Appearance | Operating position | | Model | Contact block | | LED block | |
|-------------------------------|---|---------------------------|--|-----------------|---------------|-----------|---------------|------------|
| | | | | | A contact | B contact | AC/DC voltage | AC voltage |
| Short shark-head lever, flush |  S3SFN-S1AW□ | 2-position, spring return |  | S3SFN-S1A□A(M) | 1 | — | — | — |
| | | | | S3SFN-S1A□2A(M) | 2 | — | | |
| | | | | S3SFN-S1A□B(M) | — | 1 | | |
| | | | | S3SFN-S1A□2B(M) | — | 2 | | |
| | | | | S3SFN-S1A□AB(M) | 1 | 1 | | |
| | | | | S3SFN-S3A□A(M) | 1 | — | | |
| | | 2-position, maintained |  | S3SFN-S3A□2A(M) | 2 | — | | |
| | | | | S3SFN-S3A□B(M) | — | 1 | | |
| | | | | S3SFN-S3A□2B(M) | — | 2 | | |
| | | | | S3SFN-S3A□AB(M) | 1 | 1 | | |
| | | | | S3SFN-S1B□A(M) | 1 | — | | |
| | | | | S3SFN-S1B□2A(M) | 2 | — | | |
| | | 2-position, spring return |  | S3SFN-S1B□B(M) | — | 1 | | |
| | | | | S3SFN-S1B□2B(M) | — | 2 | | |
| | | | | S3SFN-S1B□AB(M) | 1 | 1 | | |
| | | | | S3SFN-S3B□A(M) | 1 | — | | |
| | | | | S3SFN-S3B□2A(M) | 2 | — | | |
| | | | | S3SFN-S3B□B(M) | — | 1 | | |
| | | 2-position, maintained |  | S3SFN-S3B□2B(M) | — | 2 | | |
| | | | | S3SFN-S3B□AB(M) | 1 | 1 | | |
| | | | | S3SFN-S1□A(M) | 1 | — | | |
| | | | | S3SFN-S1□2A(M) | 2 | — | | |
| | | | | S3SFN-S1□B(M) | — | 1 | | |
| | | | | S3SFN-S1□2B(M) | — | 2 | | |
| 2-position, spring return |  | S3SFN-S1□AB(M) | 1 | 1 | | | | |

※□ indicates color : **W**, **R**
 ※The M in the model name indicates modular type contact block. Models without M are singular contact block.
 ※The control unit and contact blocks are sold separately.
 (control unit: bold letters, contact block: regular letters)
 ※Connect up to 2 contact blocks. Connect the contact blocks only on the right and left side slots.
 It will not operate if connected to the center slot.





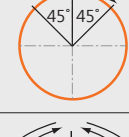
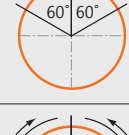


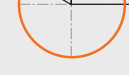
• Dimensions (unit: mm)





| | A | B |
|---------------|------|------|
| Singular type | 57.7 | 27.0 |
| Modular type | 55.7 | 25.0 |

※For panel cut-out dimensions, please refer to page A-105.

| Type | Appearance | Operating position | | Model | Contact block | | LED block | |
|-------------------------------|--|--------------------------------------|---|-----------------|---------------|-----------|---------------|------------|
| | | | | | A contact | B contact | AC/DC voltage | AC voltage |
| Short shark-head lever, flush |  | 3-position, spring return two-way |  | S3SFN-S5K□2A(M) | 2 | — | — | — |
| | | | | S3SFN-S5K□2B(M) | — | 2 | | |
| | | | | S3SFN-S5K□AB(M) | 1 | 1 | | |
| | | 3-position, maintained |  | S3SFN-S7K□2A(M) | 2 | — | | |
| | | | | S3SFN-S7K□2B(M) | — | 2 | | |
| | | | | S3SFN-S7K□AB(M) | 1 | 1 | | |
| | | 3-position, spring return from right |  | S3SFN-SAK□2A(M) | 2 | — | | |
| | | | | S2SFN-SAK□2B(M) | — | 2 | | |
| | | | | S2SFN-SAK□AB(M) | 1 | 1 | | |
| | | 3-position, spring return from left |  | S2SFN-SCK□2A(M) | 2 | — | | |
| | | | | S2SFN-SCK□2B(M) | — | 2 | | |
| | | | | S2SFN-SCK□AB(M) | 1 | 1 | | |
| | | 3-position, spring return two-way |  | S3SFN-S5□2A(M) | 2 | — | | |
| | | | | S3SFN-S5□2B(M) | — | 2 | | |
| | | | | S3SFN-S5□AB(M) | 1 | 1 | | |
| | | 3-position, maintained |  | S3SFN-S7□2A(M) | 2 | — | | |
| | | | | S3SFN-S7□2B(M) | — | 2 | | |
| | | | | S3SFN-S7□AB(M) | 1 | 1 | | |
| | | 3-position, spring return from right |  | S3SFN-SA□2A(M) | 2 | — | | |
| | | | | S2SFN-SA□2B(M) | — | 2 | | |
| | | | | S2SFN-SA□AB(M) | 1 | 1 | | |
| | | 3-position, spring return from left |  | S2SFN-SC□2A(M) | 2 | — | | |
| | | | | S2SFN-SC□2B(M) | — | 2 | | |
| | | | | S2SFN-SC□AB(M) | 1 | 1 | | |

※□ indicates color : **W**, **R**

※The M in the model name indicates modular type contact block. Models without M are singular contact block.

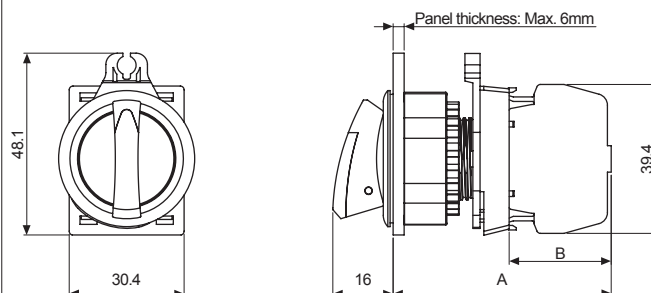
※The control unit and contact blocks are sold separately.

(control unit: bold letters, contact block: regular letters)

※Connect up to 2 contact blocks. Connect the contact blocks only on the right and left side slots. It will not operate if connected to the center slot.

• Dimensions

(unit: mm)



| | A | B |
|---------------|------|------|
| Singular type | 57.7 | 27.0 |
| Modular type | 55.7 | 25.0 |

※For panel cut-out dimensions, please refer to page A-105.

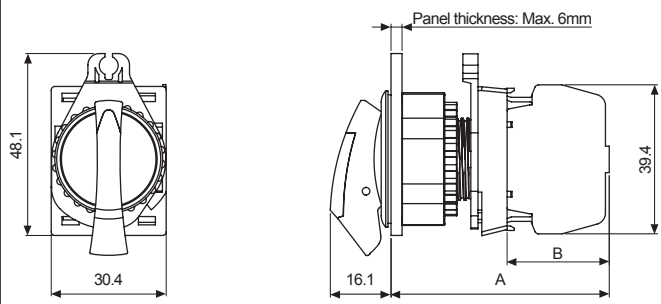
Ø30 Selector Switches

| Type | Appearance | Operating position | Model | Contact block | | LED block | |
|------------------------------|--|--|-----------------|---------------|-----------|---------------|------------|
| | | | | A contact | B contact | AC/DC voltage | AC voltage |
| Long shark-head lever, flush |  S3SFN-S2AR□  | 2-position, spring return  | S3SFN-S2A□A(M) | 1 | — | — | — |
| | | | S3SFN-S2A□2A(M) | 2 | — | | |
| | | | S3SFN-S2A□B(M) | — | 1 | | |
| | | | S3SFN-S2A□2B(M) | — | 2 | | |
| | | | S3SFN-S2A□AB(M) | 1 | 1 | | |
| | | 2-position, maintained  | S3SFN-S4A□A(M) | 1 | — | | |
| | | | S3SFN-S4A□2A(M) | 2 | — | | |
| | | | S3SFN-S4A□B(M) | — | 1 | | |
| | | | S3SFN-S4A□2B(M) | — | 2 | | |
| | | 2-position, spring return  | S3SFN-S2B□A(M) | 1 | — | | |
| | | | S3SFN-S2B□2A(M) | 2 | — | | |
| | | | S3SFN-S2B□B(M) | — | 1 | | |
| | | | S3SFN-S2B□2B(M) | — | 2 | | |
| | | 2-position, maintained  | S3SFN-S4B□A(M) | 1 | — | | |
| | | | S3SFN-S4B□2A(M) | 2 | — | | |
| | | | S3SFN-S4B□B(M) | — | 1 | | |
| | | | S3SFN-S4B□2B(M) | — | 2 | | |
| | | 2-position, spring return  | S3SFN-S2□A(M) | 1 | — | | |
| | | | S3SFN-S2□2A(M) | 2 | — | | |
| | | | S3SFN-S2□B(M) | — | 1 | | |
| | | | S3SFN-S2□2B(M) | — | 2 | | |
| | | | S3SFN-S2□AB(M) | 1 | 1 | | |

※□ indicates color : **W**, **R**
 ※The M in the model name indicates modular type contact block. Models without M are singular contact block.
 ※The control unit and contact blocks are sold separately.
 (control unit: bold letters, contact block: regular letters)
 ※Connect up to 2 contact blocks. Connect the contact blocks only on the right and left side slots.
 It will not operate if connected to the center slot.






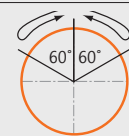
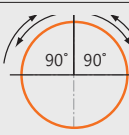
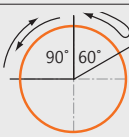
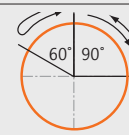
• Dimensions

(unit: mm)



| | A | B |
|---------------|------|------|
| Singular type | 57.7 | 27.0 |
| Modular type | 55.7 | 25.0 |

※For panel cut-out dimensions, please refer to page A-105.

| Type | Appearance | Operating position | | Model | Contact block | | LED block | |
|------------------------------|--|--------------------------------------|---|-------------------------|---------------|-----------|---------------|------------|
| | | | | | A contact | B contact | AC/DC voltage | AC voltage |
| Long shark-head lever, flush |  | 3-position, spring return two-way |  | S3SFN-S6K □2A(M) | 2 | — | — | — |
| | | | | S3SFN-S6K □2B(M) | — | 2 | | |
| | | | | S3SFN-S6K □AB(M) | 1 | 1 | | |
| | | 3-position, maintained |  | S3SFN-S8K □2A(M) | 2 | — | | |
| | | | | S3SFN-S8K □2B(M) | — | 2 | | |
| | | | | S3SFN-S8K □AB(M) | 1 | 1 | | |
| | | 3-position, spring return from right |  | S3SFN-SBK □2A(M) | 2 | — | | |
| | | | | S3SFN-SBK □2B(M) | — | 2 | | |
| | | | | S3SFN-SBK □AB(M) | 1 | 1 | | |
| | | 3-position, spring return from left |  | S3SFN-SDK □2A(M) | 2 | — | | |
| | | | | S3SFN-SDK □2B(M) | — | 2 | | |
| | | | | S3SFN-SDK □AB(M) | 1 | 1 | | |
| | | 3-position, spring return two-way |  | S3SFN-S6 □2A(M) | 2 | — | | |
| | | | | S3SFN-S6 □2B(M) | — | 2 | | |
| | | | | S3SFN-S6 □AB(M) | 1 | 1 | | |
| | | 3-position, maintained |  | S3SFN-S8 □2A(M) | 2 | — | | |
| | | | | S3SFN-S8 □2B(M) | — | 2 | | |
| | | | | S3SFN-S8 □AB(M) | 1 | 1 | | |
| | | 3-position, spring return from right |  | S3SFN-SB □2A(M) | 2 | — | | |
| | | | | S3SFN-SB □2B(M) | — | 2 | | |
| | | | | S3SFN-SB □AB(M) | 1 | 1 | | |
| | | 3-position, spring return from left |  | S3SFN-SD □2A(M) | 2 | — | | |
| | | | | S3SFN-SD □2B(M) | — | 2 | | |
| | | | | S3SFN-SD □AB(M) | 1 | 1 | | |

□ indicates color : **W**, **R**

※The M in the model name indicates modular type contact block. Models without M are singular contact block.

※The control unit and contact blocks are sold separately.

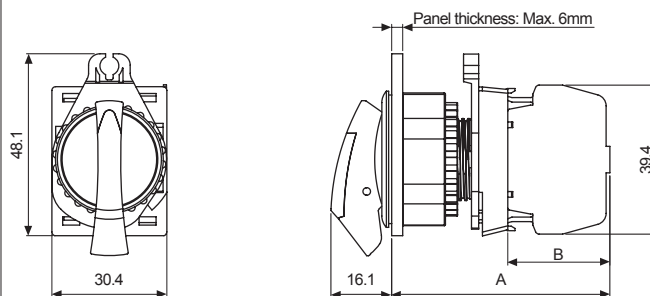
(control unit: bold letters, contact block: regular letters)

※Connect up to 2 contact blocks. Connect the contact blocks only on the right and left side slots.

It will not operate if connected to the center slot.

• Dimensions


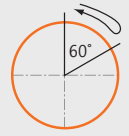


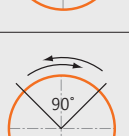
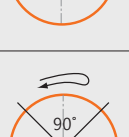
(unit: mm)



| | A | B |
|---------------|------|------|
| Singular type | 57.7 | 27.0 |
| Modular type | 55.7 | 25.0 |

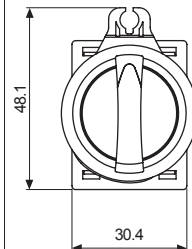
※For panel cut-out dimensions, please refer to page A-105.

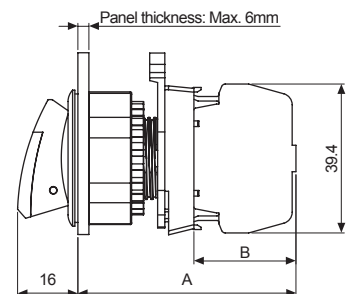
Ø30 Selector Switches

| Type | Appearance | Operating position | | Model | Contact block | | LED block | |
|---|---|---------------------------|--|------------------|---------------|-----------|---------------|------------|
| | | | | | A contact | B contact | AC/DC voltage | AC voltage |
| Short shark-head lever, flush (illuminated) |  S3SFN-L1AG□ | 2-position, spring return |  | S3SFN-L1A□AL(M) | 1 | — | — | 1 |
| | | | | S3SFN-L1A□2AL(M) | 2 | — | | |
| | | | | S3SFN-L1A□BL(M) | — | 1 | | |
| | | | | S3SFN-L1A□2BL(M) | — | 2 | | |
| | | | | S3SFN-L1A□ABL(M) | 1 | 1 | | |
| | | 2-position, maintained |  | S3SFN-L3A□AL(M) | 1 | — | | |
| | | | | S3SFN-L3A□2AL(M) | 2 | — | | |
| | | | | S3SFN-L3A□BL(M) | — | 1 | | |
| | | | | S3SFN-L3A□2BL(M) | — | 2 | | |
| | | 2-position, spring return |  | S3SFN-L1B□AL(M) | 1 | — | | |
| | | | | S3SFN-L1B□2AL(M) | 2 | — | | |
| | | | | S3SFN-L1B□BL(M) | — | 1 | | |
| | | | | S3SFN-L1B□2BL(M) | — | 2 | | |
| | | | | S3SFN-L1B□ABL(M) | 1 | 1 | | |
| | | 2-position, maintained |  | S3SFN-L3B□AL(M) | 1 | — | | |
| | | | | S3SFN-L3B□2AL(M) | 2 | — | | |
| | | | | S3SFN-L3B□BL(M) | — | 1 | | |
| | | | | S3SFN-L3B□2BL(M) | — | 2 | | |
| | | 2-position, spring return |  | S3SFN-L1□AL(M) | 1 | — | | |
| | | | | S3SFN-L1□2AL(M) | 2 | — | | |
| | | | | S3SFN-L1□BL(M) | — | 1 | | |
| | | | | S3SFN-L1□2BL(M) | — | 2 | | |
| | | | | S3SFN-L1□ABL(M) | 1 | 1 | | |

※□ indicates color : R, B, G, Y
 ※The M in the model name indicates modular type contact block. Models without M are singular contact block.
 ※Connect up to 2 contact blocks. Connect the contact blocks only on the right and left side slots.
 It will not operate if connected to the center slot.
 ※The LED color is the same as the control unit.





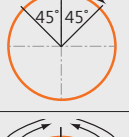
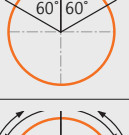
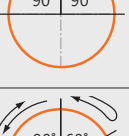
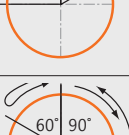
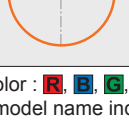
• Dimensions (unit: mm)





| | A | B |
|---------------|------|------|
| Singular type | 57.7 | 27.0 |
| Modular type | 55.7 | 25.0 |

※For panel cut-out dimensions, please refer to page A-105.

| Type | Appearance | Operating position | | Model | Contact block | | LED block | |
|---|---|--------------------------------------|---|------------------|---------------|-----------|---------------|------------|
| | | | | | A contact | B contact | AC/DC voltage | AC voltage |
| Short shark-head lever, flush (illuminated) |  | 3-position, spring return two-way |  | S3SFN-L5K□2AL(M) | 2 | — | — | 1 |
| | | | | S3SFN-L5K□2BL(M) | — | 2 | | |
| | | | | S3SFN-L5K□ABL(M) | 1 | 1 | | |
| | | 3-position, maintained |  | S3SFN-L7K□2AL(M) | 2 | — | | |
| | | | | S3SFN-L7K□2BL(M) | — | 2 | | |
| | | | | S3SFN-L7K□ABL(M) | 1 | 1 | | |
| | | 3-position, spring return from right |  | S3SFN-LAK□2AL(M) | 2 | — | | |
| | | | | S3SFN-LAK□2BL(M) | — | 2 | | |
| | | | | S3SFN-LAK□ABL(M) | 1 | 1 | | |
| | | 3-position, spring return from left |  | S3SFN-LCK□2AL(M) | 2 | — | | |
| | | | | S3SFN-LCK□2BL(M) | — | 2 | | |
| | | | | S3SFN-LCK□ABL(M) | 1 | 1 | | |
| | | 3-position, spring return two-way |  | S3SFN-L5□2AL(M) | 2 | — | | |
| | | | | S3SFN-L5□2BL(M) | — | 2 | | |
| | | | | S3SFN-L5□ABL(M) | 1 | 1 | | |
| | | 3-position, maintained |  | S3SFN-L7□2AL(M) | 2 | — | | |
| | | | | S3SFN-L7□2BL(M) | — | 2 | | |
| | | | | S3SFN-L7□ABL(M) | 1 | 1 | | |
| | | 3-position, spring return from right |  | S3SFN-LA□2AL(M) | 2 | — | | |
| | | | | S3SFN-LA□2BL(M) | — | 2 | | |
| | | | | S3SFN-LA□ABL(M) | 1 | 1 | | |
| | | 3-position, spring return from left |  | S3SFN-LC□2AL(M) | 2 | — | | |
| | | | | S3SFN-LC□2BL(M) | — | 2 | | |
| | | | | S3SFN-LC□ABL(M) | 1 | 1 | | |

※□ indicates color : **R**, **B**, **G**, **Y**

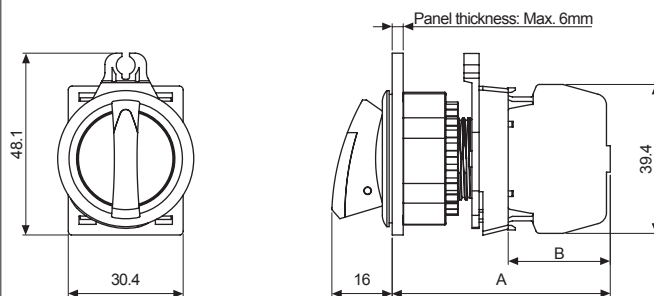
※The M in the model name indicates modular type contact block. Models without M are singular contact block.

※Connect up to 2 contact blocks. Connect the contact blocks only on the right and left side slots. It will not operate if connected to the center slot.

※The LED color is the same as the control unit.

• Dimensions

(unit: mm)



| | A | B |
|---------------|------|------|
| Singular type | 57.7 | 27.0 |
| Modular type | 55.7 | 25.0 |

※For panel cut-out dimensions, please refer to page A-105.

Ø30 Selector Switches

| Type | Appearance | Operating position | | Model | Contact block | | LED block | | | | | |
|---|---|---------------------------|---|------------------|---------------|-----------------|---------------|------------|---|---|--|--|
| | | | | | A contact | B contact | AC/DC voltage | AC voltage | | | | |
| Short shark-head lever, flush (illuminated) |  <p>S3SFN-L1AG□</p> | 2-position, spring return |  | S3SFN-L1A□AD(M) | 1 | — | 1 | — | | | | |
| | | | | S3SFN-L1A□2AD(M) | 2 | — | | | | | | |
| | | | | S3SFN-L1A□BD(M) | — | 1 | | | | | | |
| | | | | S3SFN-L1A□2BD(M) | — | 2 | | | | | | |
| | | 2-position, maintained |  | S3SFN-L3A□AD(M) | 1 | — | | | | | | |
| | | | | S3SFN-L3A□2AD(M) | 2 | — | | | | | | |
| | | | | S3SFN-L3A□BD(M) | — | 1 | | | | | | |
| | | | | S3SFN-L3A□2BD(M) | — | 2 | | | | | | |
| | | 2-position, spring return |  | S3SFN-L1B□AD(M) | 1 | — | | | | | | |
| | | | | S3SFN-L1B□2AD(M) | 2 | — | | | | | | |
| | | | | S3SFN-L1B□BD(M) | — | 1 | | | | | | |
| | | | | S3SFN-L1B□2BD(M) | — | 2 | | | | | | |
| | | 2-position, maintained |  | S3SFN-L3B□AD(M) | 1 | — | | | | | | |
| | | | | S3SFN-L3B□2AD(M) | 2 | — | | | | | | |
| | | | | S3SFN-L3B□BD(M) | — | 1 | | | | | | |
| | | | | S3SFN-L3B□2BD(M) | — | 2 | | | | | | |
| | | 2-position, spring return |  | S3SFN-L1□AD(M) | 1 | — | | | | | | |
| | | | | S3SFN-L1□2AD(M) | 2 | — | | | | | | |
| | | | | S3SFN-L1□BD(M) | — | 1 | | | | | | |
| | | | | S3SFN-L1□2BD(M) | — | 2 | | | | | | |
| | | | | | | S3SFN-L1□ABD(M) | | | 1 | 1 | | |

※□ indicates color : ■ ■ ■ ■

※The M in the model name indicates modular type contact block. Models without M are singular contact block.

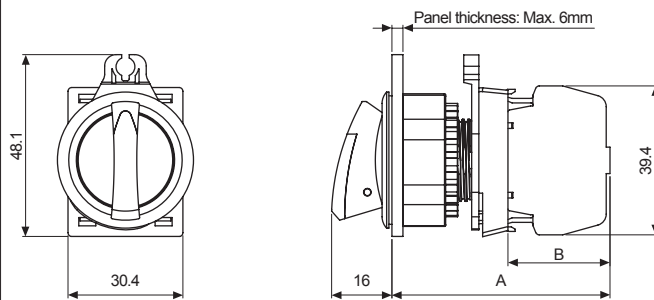
※Connect up to 2 contact blocks. Connect the contact blocks only on the right and left side slots.

It will not operate if connected to the center slot.

※The LED color is the same as the control unit.







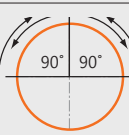
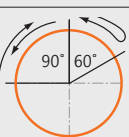
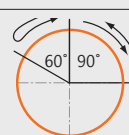
• Dimensions

(unit: mm)



| | A | B |
|---------------|------|------|
| Singular type | 57.7 | 27.0 |
| Modular type | 55.7 | 25.0 |

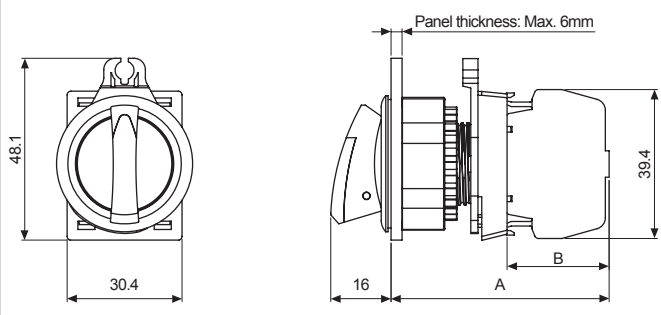
※For panel cut-out dimensions, please refer to page A-105.

| Type | Appearance | Operating position | | Model | Contact block | | LED block | |
|---|--|--------------------------------------|---|------------------|---------------|-----------|---------------|------------|
| | | | | | A contact | B contact | AC/DC voltage | AC voltage |
| Short shark-head lever, flush (illuminated) |  | 3-position, spring return two-way |  | S3SFN-L5K□2AD(M) | 2 | — | 1 | — |
| | | | | S3SFN-L5K□2BD(M) | — | 2 | | |
| | | | | S3SFN-L5K□ABD(M) | 1 | 1 | | |
| | | 3-position, maintained |  | S3SFN-L7K□2AD(M) | 2 | — | | |
| | | | | S3SFN-L7K□2BD(M) | — | 2 | | |
| | | | | S3SFN-L7K□ABD(M) | 1 | 1 | | |
| | | 3-position, spring return from right |  | S3SFN-LAK□2AD(M) | 2 | — | | |
| | | | | S3SFN-LAK□2BD(M) | — | 2 | | |
| | | | | S3SFN-LAK□ABD(M) | 1 | 1 | | |
| | | 3-position, spring return from left |  | S3SFN-LCK□2AD(M) | 2 | — | | |
| | | | | S3SFN-LCK□2BD(M) | — | 2 | | |
| | | | | S3SFN-LCK□ABD(M) | 1 | 1 | | |
| | | 3-position, spring return two-way |  | S3SFN-L5□2AD(M) | 2 | — | | |
| | | | | S3SFN-L5□2BD(M) | — | 2 | | |
| | | | | S3SFN-L5□ABD(M) | 1 | 1 | | |
| | | 3-position, maintained |  | S3SFN-L7□2AD(M) | 2 | — | | |
| | | | | S3SFN-L7□2BD(M) | — | 2 | | |
| | | | | S3SFN-L7□ABD(M) | 1 | 1 | | |
| | | 3-position, spring return from right |  | S3SFN-LA□2AD(M) | 2 | — | | |
| | | | | S3SFN-LA□2BD(M) | — | 2 | | |
| | | | | S3SFN-LA□ABD(M) | 1 | 1 | | |
| | | 3-position, spring return from left |  | S3SFN-LC□2AD(M) | 2 | — | | |
| | | | | S3SFN-LC□2BD(M) | — | 2 | | |
| | | | | S3SFN-LC□ABD(M) | 1 | 1 | | |

※□ indicates color : R, B, G, Y
 ※The M in the model name indicates modular type contact block. Models without M are singular contact block.
 ※Connect up to 2 contact blocks. Connect the contact blocks only on the right and left side slots.
 It will not operate if connected to the center slot.
 ※The LED color is the same as the control unit.

• Dimensions

(unit: mm)



| | A | B |
|---------------|------|------|
| Singular type | 57.7 | 27.0 |
| Modular type | 55.7 | 25.0 |

※For panel cut-out dimensions, please refer to page A-105.

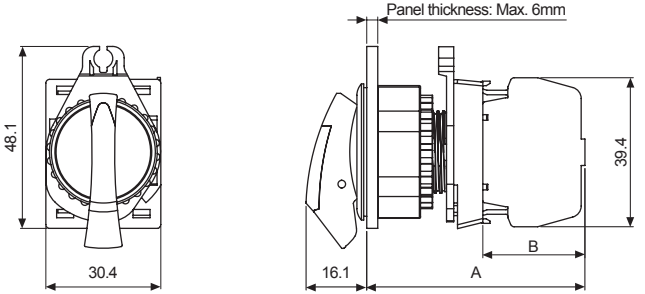
Ø30 Selector Switches

| Type | Appearance | Operating position | Model | Contact block | | LED block | |
|--|--|--|------------------|---------------|-----------|---------------|------------|
| | | | | A contact | B contact | AC/DC voltage | AC voltage |
| Long shark-head lever, flush (illuminated) |  S3SFN-L2AG | 2-position, spring return  | S3SFN-L2A□AL(M) | 1 | — | — | 1 |
| | | | S3SFN-L2A□2AL(M) | 2 | — | | |
| | | | S3SFN-L2A□BL(M) | — | 1 | | |
| | | | S3SFN-L2A□2BL(M) | — | 2 | | |
| | | | S3SFN-L2A□ABL(M) | 1 | 1 | | |
| | | 2-position, maintained  | S3SFN-L4A□AL(M) | 1 | — | | |
| | | | S3SFN-L4A□2AL(M) | 2 | — | | |
| | | | S3SFN-L4A□BL(M) | — | 1 | | |
| | | | S3SFN-L4A□2BL(M) | — | 2 | | |
| | | | S3SFN-L4A□ABL(M) | 1 | 1 | | |
| | | 2-position, spring return  | S3SFN-L2B□AL(M) | 1 | — | | |
| | | | S3SFN-L2B□2AL(M) | 2 | — | | |
| | | | S3SFN-L2B□BL(M) | — | 1 | | |
| | | | S3SFN-L2B□2BL(M) | — | 2 | | |
| | | | S3SFN-L2B□ABL(M) | 1 | 1 | | |
| | | 2-position, maintained  | S3SFN-L4B□AL(M) | 1 | — | | |
| | | | S3SFN-L4B□2AL(M) | 2 | — | | |
| | | | S3SFN-L4B□BL(M) | — | 1 | | |
| | | | S3SFN-L4B□2BL(M) | — | 2 | | |
| | | | S3SFN-L4B□ABL(M) | 1 | 1 | | |
| 2-position, spring return  | S3SFN-L2□AL(M) | 1 | — | | | | |
| | S3SFN-L2□2AL(M) | 2 | — | | | | |
| | S3SFN-L2□BL(M) | — | 1 | | | | |
| | S3SFN-L2□2BL(M) | — | 2 | | | | |
| | S3SFN-L2□ABL(M) | 1 | 1 | | | | |



※□ indicates color : R, B, G, Y
 ※The M in the model name indicates modular type contact block. Models without M are singular contact block.
 ※The control unit, contact blocks, LED blocks are sold separately.
 (control unit: bold letters, contact and LED block: regular letters)
 ※Connect up to 2 contact blocks. Connect the contact blocks only on the right and left side slots.
 It will not operate if connected to the center slot.
 ※The LED color is the same as the control unit.

• Dimensions (unit: mm)



| | A | B |
|---------------|------|------|
| Singular type | 57.7 | 27.0 |
| Modular type | 55.7 | 25.0 |

※For panel cut-out dimensions, please refer to page A-105.



Control Switches

Ø16

Ø22/25

Ø30

□30

Push Button Switches

- Round
- Square
- Rectangular

Selector Switches

- Round**
- Square
- Rectangular

Key Selector Switches

- Round
- Square
- Rectangular

Double Push Button Switches








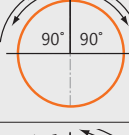
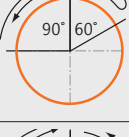
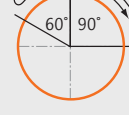
Mushroom-head Push Button Switches

Emergency Switches

Pilot Lights

Accessories

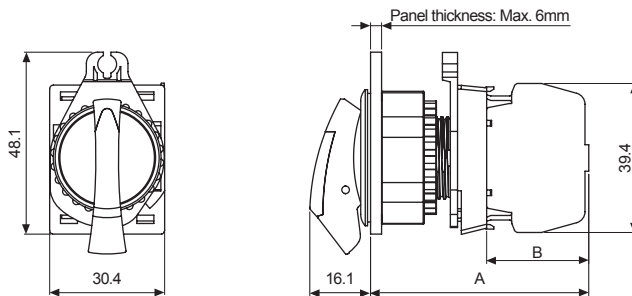
Buzzers

| Type | Appearance | Operating position | Model | Contact block | | LED block | |
|--|--|--------------------------------------|---|---------------|-----------|---------------|------------|
| | | | | A contact | B contact | AC/DC voltage | AC voltage |
| Long shark-head lever, flush (illuminated) |  S3SFN-L2AG□  | 3-position, spring return two-way |  S3SFN-L6K□2AL(M) | 2 | — | — | 1 |
| | | | S3SFN-L6K□2BL(M) | — | 2 | | |
| | | | S3SFN-L6K□ABL(M) | 1 | 1 | | |
| | | 3-position, maintained |  S3SFN-L8K□2AL(M) | 2 | — | | |
| | | | S3SFN-L8K□2BL(M) | — | 2 | | |
| | | | S3SFN-L8K□ABL(M) | 1 | 1 | | |
| | | 3-position, spring return from right |  S3SFN-LBK□2AL(M) | 2 | — | | |
| | | | S3SFN-LBK□2BL(M) | — | 2 | | |
| | | | S3SFN-LBK□ABL(M) | 1 | 1 | | |
| | | 3-position, spring return from left |  S3SFN-LDK□2AL(M) | 2 | — | | |
| | | | S3SFN-LDK□2BL(M) | — | 2 | | |
| | | | S3SFN-LDK□ABL(M) | 1 | 1 | | |
| | | 3-position, spring return two-way |  S3SFN-L6□2AL(M) | 2 | — | | |
| | | | S3SFN-L6□2BL(M) | — | 2 | | |
| | | | S3SFN-L6□ABL(M) | 1 | 1 | | |
| | | 3-position, maintained |  S3SFN-L8□2AL(M) | 2 | — | | |
| | | | S3SFN-L8□2BL(M) | — | 2 | | |
| | | | S3SFN-L8□ABL(M) | 1 | 1 | | |
| | | 3-position, spring return from right |  S3SFN-LB□2AL(M) | 2 | — | | |
| | | | S3SFN-LB□2BL(M) | — | 2 | | |
| | | | S3SFN-LB□ABL(M) | 1 | 1 | | |
| | | 3-position, spring return from left |  S3SFN-LD□2AL(M) | 2 | — | | |
| | | | S3SFN-LD□2BL(M) | — | 2 | | |
| | | | S3SFN-LD□ABL(M) | 1 | 1 | | |

※□ indicates color : R, B, G, Y
 ※The M in the model name indicates modular type contact block. Models without M are singular contact block.
 ※The control unit, contact blocks, LED blocks are sold separately.
 (control unit: bold letters, contact and LED block: regular letters)
 ※Connect up to 2 contact blocks. Connect the contact blocks only on the right and left side slots.
 It will not operate if connected to the center slot.
 ※The LED color is the same as the control unit.

• Dimensions

(unit: mm)



| | A | B |
|---------------|------|------|
| Singular type | 57.7 | 27.0 |
| Modular type | 55.7 | 25.0 |

※For panel cut-out dimensions, please refer to page A-105.

Ø30 Selector Switches

| Type | Appearance | Operating position | | Model | Contact block | | LED block | |
|--|--|---------------------------|---|------------------|---------------|-----------|---------------|------------|
| | | | | | A contact | B contact | AC/DC voltage | AC voltage |
| Long shark-head lever, flush (illuminated) |  | 2-position, spring return |  | S3SFN-L2A□AD(M) | 1 | — | 1 | — |
| | | | | S3SFN-L2A□2AD(M) | 2 | — | | |
| | | | | S3SFN-L2A□BD(M) | — | 1 | | |
| | | | | S3SFN-L2A□2BD(M) | — | 2 | | |
| | | | | S3SFN-L2A□ABD(M) | 1 | 1 | | |
| | | 2-position, maintained |  | S3SFN-L4A□AD(M) | 1 | — | | |
| | | | | S3SFN-L4A□2AD(M) | 2 | — | | |
| | | | | S3SFN-L4A□BD(M) | — | 1 | | |
| | | | | S3SFN-L4A□2BD(M) | — | 2 | | |
| | | | | S3SFN-L4A□ABD(M) | 1 | 1 | | |
| | | 2-position, spring return |  | S3SFN-L2B□AD(M) | 1 | — | | |
| | | | | S3SFN-L2B□2AD(M) | 2 | — | | |
| | | | | S3SFN-L2B□BD(M) | — | 1 | | |
| | | | | S3SFN-L2B□2BD(M) | — | 2 | | |
| | | | | S3SFN-L2B□ABD(M) | 1 | 1 | | |
| | | 2-position, maintained |  | S3SFN-L4B□AD(M) | 1 | — | | |
| | | | | S3SFN-L4B□2AD(M) | 2 | — | | |
| | | | | S3SFN-L4B□BD(M) | — | 1 | | |
| | | | | S3SFN-L4B□2BD(M) | — | 2 | | |
| | | | | S3SFN-L4B□ABD(M) | 1 | 1 | | |
| 2-position, spring return |  | S3SFN-L2□AD(M) | 1 | — | | | | |
| | | S3SFN-L2□2AD(M) | 2 | — | | | | |
| | | S3SFN-L2□BD(M) | — | 1 | | | | |
| | | S3SFN-L2□2BD(M) | — | 2 | | | | |
| | | S3SFN-L2□ABD(M) | 1 | 1 | | | | |

※□ indicates color : **R**, **B**, **G**, **Y**

※The M in the model name indicates modular type contact block. Models without M are singular contact block.

※The control unit, contact blocks, LED blocks are sold separately.

(control unit: bold letters, contact and LED block: regular letters)

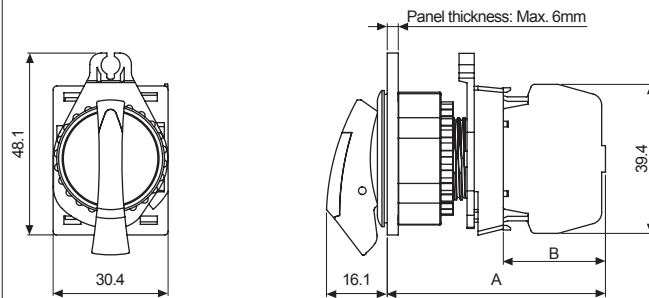
※Connect up to 2 contact blocks. Connect the contact blocks only on the right and left side slots.

It will not operate if connected to the center slot.

※The LED color is the same as the control unit.






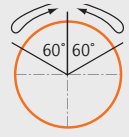
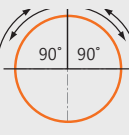
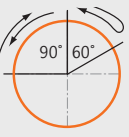
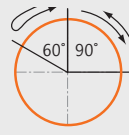
• Dimensions

(unit: mm)



| | A | B |
|---------------|------|------|
| Singular type | 57.7 | 27.0 |
| Modular type | 55.7 | 25.0 |

※For panel cut-out dimensions, please refer to page A-105.

| Type | Appearance | Operating position | Model | Contact block | | LED block | |
|--|---|--------------------------------------|---|---------------|-----------|---------------|------------|
| | | | | A contact | B contact | AC/DC voltage | AC voltage |
| Long shark-head lever, flush (illuminated) |  <p>S3SFN-L2AG</p> | 3-position, spring return two-way |  S3SFN-L6K□2AD(M) | 2 | — | 1 | — |
| | | | S3SFN-L6K□2BD(M) | — | 2 | | |
| | | | S3SFN-L6K□ABD(M) | 1 | 1 | | |
| | | 3-position, maintained |  S3SFN-L8K□2AD(M) | 2 | — | | |
| | | | S3SFN-L8K□2BD(M) | — | 2 | | |
| | | | S3SFN-L8K□ABD(M) | 1 | 1 | | |
| | | 3-position, spring return from right |  S3SFN-LBK□2AD(M) | 2 | — | | |
| | | | S3SFN-LBK□2BD(M) | — | 2 | | |
| | | | S3SFN-LBK□ABD(M) | 1 | 1 | | |
| | | 3-position, spring return from left |  S3SFN-LDK□2AD(M) | 2 | — | | |
| | | | S3SFN-LDK□2BD(M) | — | 2 | | |
| | | | S3SFN-LDK□ABD(M) | 1 | 1 | | |
| | | 3-position, spring return two-way |  S3SFN-L6□2AD(M) | 2 | — | | |
| | | | S3SFN-L6□2BD(M) | — | 2 | | |
| | | | S3SFN-L6□ABD(M) | 1 | 1 | | |
| | | 3-position, maintained |  S3SFN-L8□2AD(M) | 2 | — | | |
| | | | S3SFN-L8□2BD(M) | — | 2 | | |
| | | | S3SFN-L8□ABD(M) | 1 | 1 | | |
| | | 3-position, spring return from right |  S3SFN-LB□2AD(M) | 2 | — | | |
| | | | S3SFN-LB□2BD(M) | — | 2 | | |
| | | | S3SFN-LB□ABD(M) | 1 | 1 | | |
| | | 3-position, spring return from left |  S3SFN-LD□2AD(M) | 2 | — | | |
| | | | S3SFN-LD□2BD(M) | — | 2 | | |
| | | | S3SFN-LD□ABD(M) | 1 | 1 | | |

※□ indicates color : **R**, **B**, **G**, **Y**

※The M in the model name indicates modular type contact block. Models without M are singular contact block.

※The control unit, contact blocks, LED blocks are sold separately.

(control unit: bold letters, contact and LED block: regular letters)

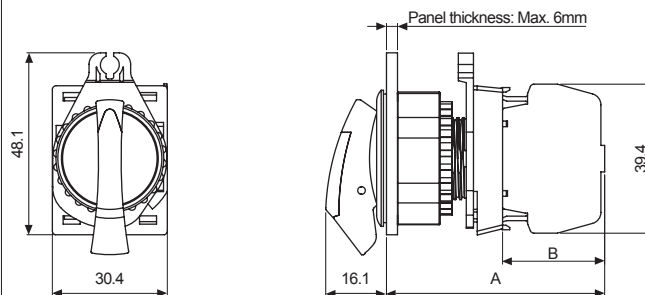
※Connect up to 2 contact blocks. Connect the contact blocks only on the right and left side slots.

It will not operate if connected to the center slot.

※The LED color is the same as the control unit.

• Dimensions

(unit: mm)




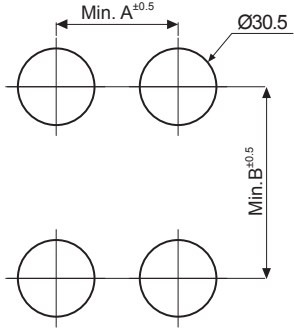



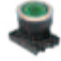
| | A | B |
|---------------|------|------|
| Singular type | 57.7 | 27.0 |
| Modular type | 55.7 | 25.0 |

※For panel cut-out dimensions, please refer to page A-105.

Ø30 Panel Cut-out Dimensions

Ø30 Panel Cut-out Dimensions

(unit: mm)

| Type | | A | B | Panel Cut-out Dimensions | |
|---|---|---|----|---|----|
| Round Push Button Switches (S3PR/S3PF Series) |  | 45 | 55 |  | |
| Round Selector Switches (S3SF/S3SFN Series) | Short lever |  | 37 | | 55 |
| | Long lever |  | 55 | | 55 |
| Round Key Selector Switches (S3KF Series) |  | 37 | 55 | | |
| Pilot Lights (L3RF Series) |  | 37 | 55 | | |

Control Switches

Ø16

Ø22/25

Ø30

□30

Push Button Switches

Round

Square

Rectangular

Selector Switches

Round

Square

Rectangular

Key Selector Switches

Round

Square

Rectangular

Double Push Button Switches

Mushroom-head Push Button Switches

Emergency Switches

Pilot Lights

Accessories

Buzzers